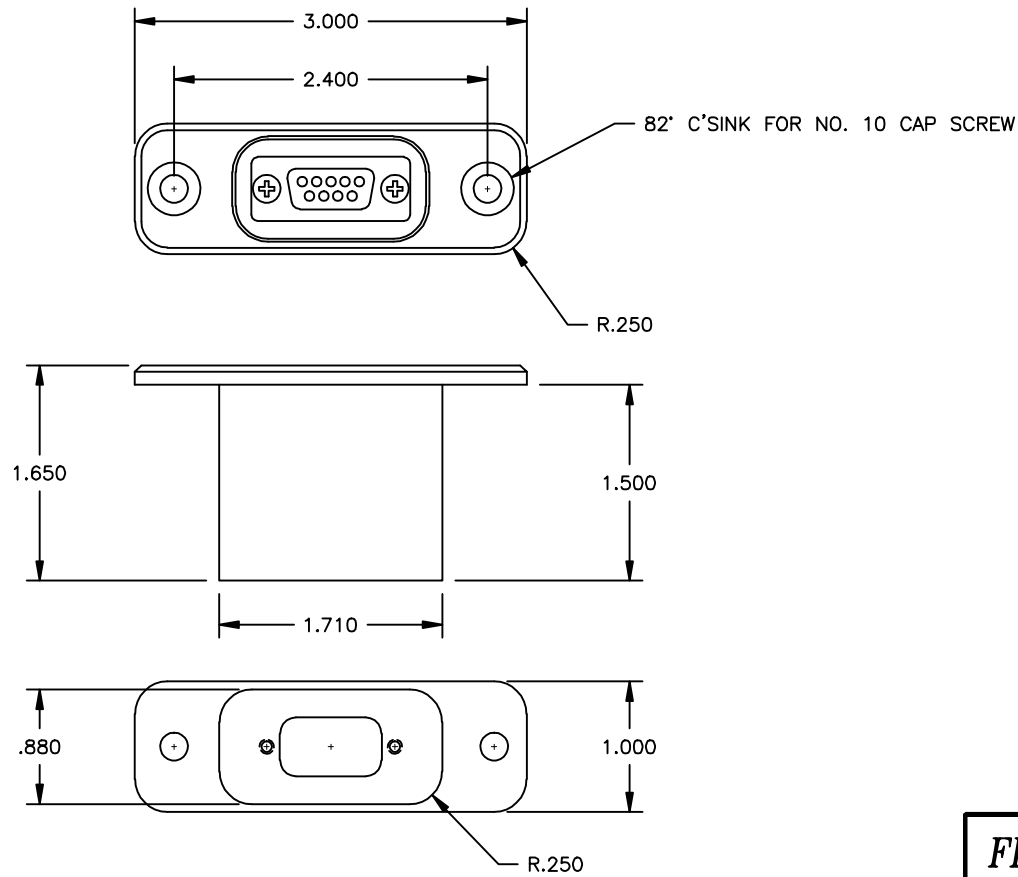
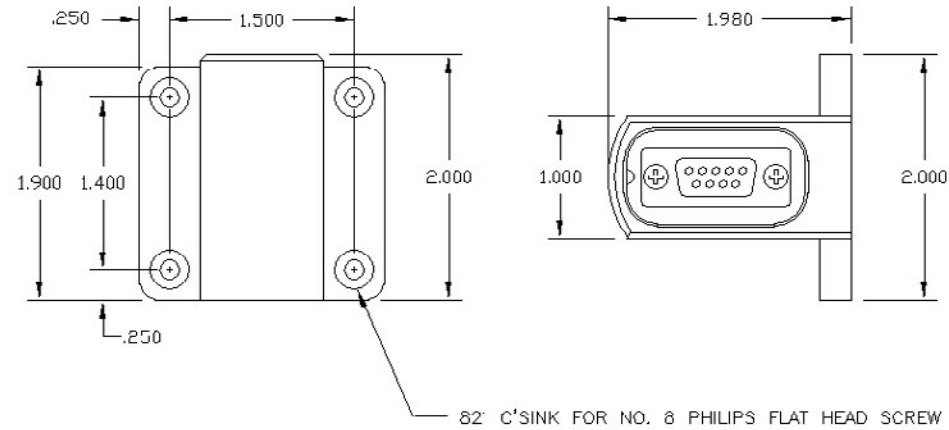


ORIGINAL ISSUE	
REV. NO.	DESCRIPTION OF CHANGE



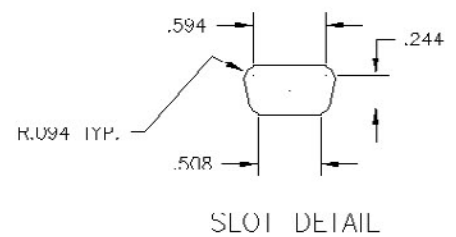
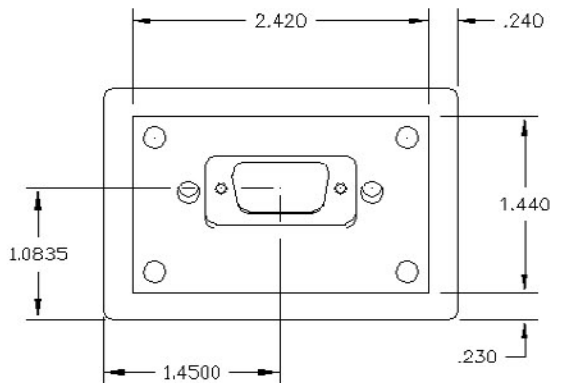
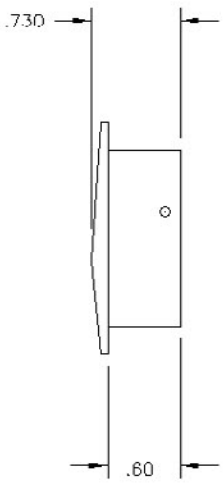
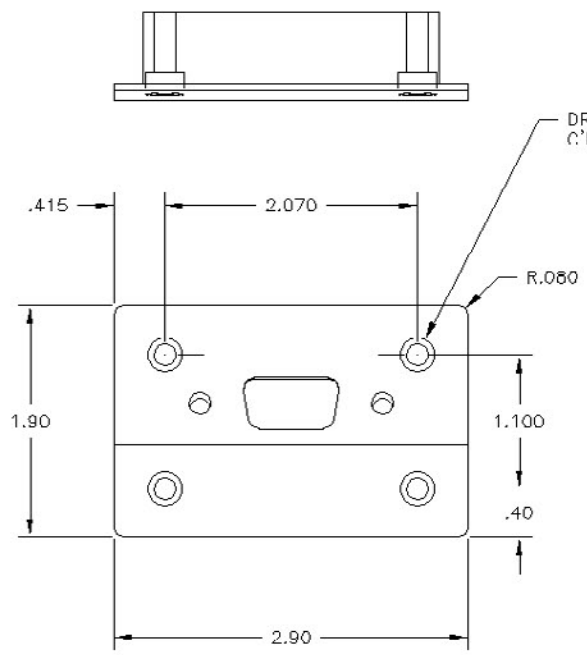
<i>FLIGHT DISPLAY SYSTEMS</i>			
1765 GRASSLAND PARK WAY ALPHARETTA, GA 30004		678-867-6717 678-867-6742 Fax	
DATE:	02-08-07	TITLE: FDBASE MOUNTING SPECIFICATIONS	
DRAWN BY:	R. POLLARD	DRAWING NO.	
ENGINEERED BY:		APPROVED BY:	
SERIAL NO.	SCALE 1/1	REV NO.	SHEET 1 OF 1

ORIGINAL ISSUE	
REV. NO.	DESCRIPTION OF CHANGE



FLIGHT DISPLAY SYSTEMS			
1785 GRASSLAND PARK WAY ALPHARETTA, GA 30004		878-867-8717 878-867-8742 Fax	
DATE:	02-08-07	TITLE:	FDBASE-W MOUNTING SPECS
DRAWN BY:	R. POLLARD	ENGINEERED BY:	DRAWING NO.
APPROVED BY:		SERIAL NO.	SCALE 1/1 REV NO. SHEET 1 OF 1

REV	DESCRIPTION	DATE	APV
-----	-------------	------	-----



FLIGHT DISPLAY SYSTEMS			
1765 GRASSLAND PARK WAY ALPHARETTA, GA 30004		678-867-6717 678-867-6742 Fax	
DATE: 02-12-07	TITLE: FDBASE W FM MOUNTING SPECIFICATIONS		
DRAWN BY: R. POLLARD	DRAWING NO.		
ENGINEERED BY:			
APPROVED BY:			
SERIAL NO.	SCALE: 1/1	REV NO.	SHEET: 1 OF 1